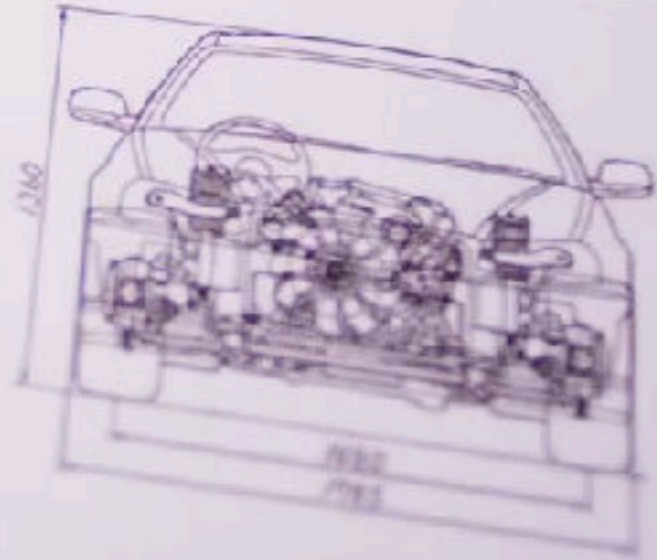
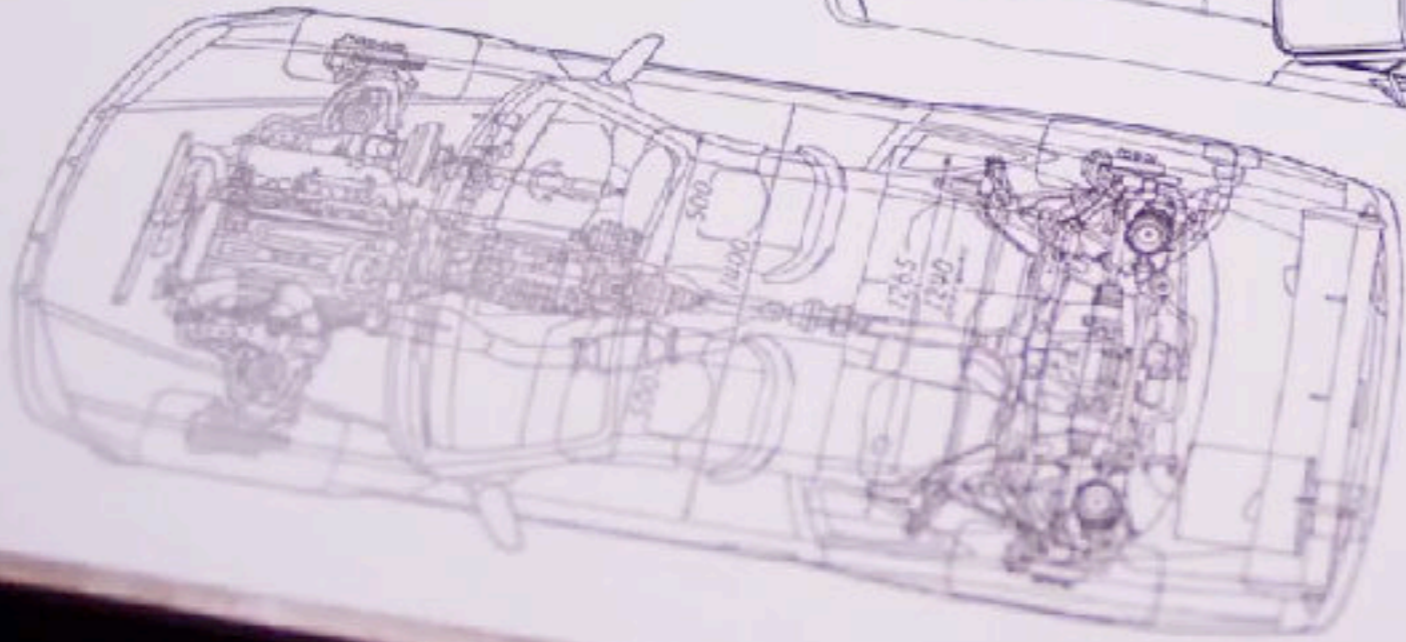
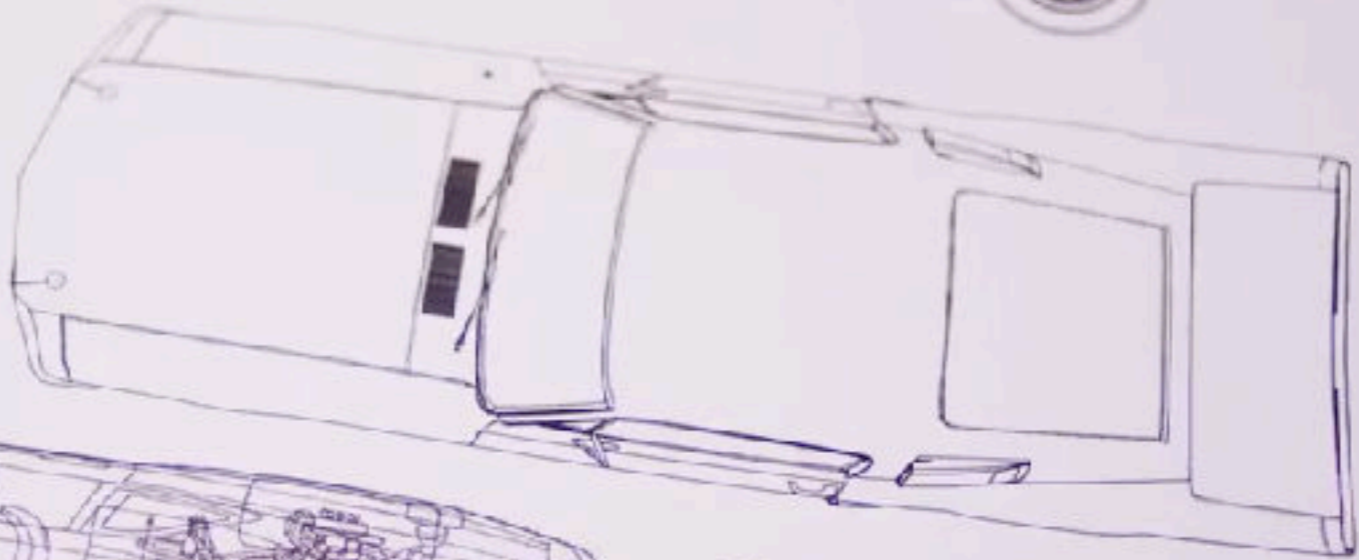
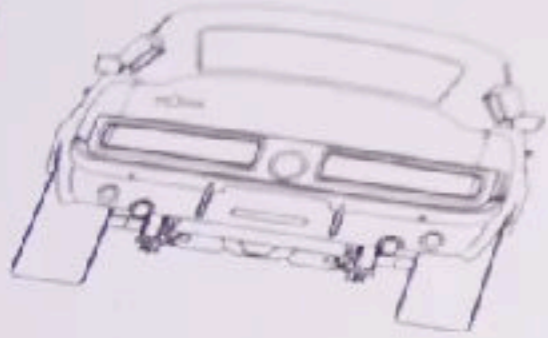


$B^B + PH = XP$





**Study with David
in the
Doctor of Ministry program**



Teach Truth. Love Well.



***“Hey Fletch ...”
Questions
& Issues***

***XPastor’s
Compensation
Survey—\$49***



$B^B + PH = XP$



**Business Brain
+ Pastoral Heart
= Your XP Calling**

This is the covenant that ...

I will establish.

I will put my laws in their minds.

I will inscribe them on their hearts.

Hebrews 8:10

Table Talk

***What is a
Business Brain?***

**What are key words
that describe it?**



Table Talk

30

What Does that Book Say?

To receive moral instruction in skillful living, in righteousness, justice, and equity. To impart shrewdness to the morally naive, and a discerning plan to the young person.

Proverbs 1:3-4

Business Brain

Moral

Just

Discerning

Skillful

Equitable

Strategic

Righteous

Shrewd

Mentoring

Table Talk

***What is a
Pastoral Heart?***

**What are key words
that describe it?**



Table Talk

30

What Does that Book Say?

Give a shepherd's care to God's flock among you, exercising oversight not merely as a duty but willingly under God's direction, not for shameful profit but eagerly. And do not lord it over those entrusted to you, but be examples to the flock.

I Peter 5:2-3

Pastoral Heart

- Shepherd—ποιμάνετε ... sheep-ize the sheep
- Oversight—ἐπισκοποῦντες ... being a spiritual bishop
- Exemplify—τύποι ... of love, care and concern



We enter into the joy as well as the pain of our congregation, even when the joy and the pain are just moments apart. To be a pastor is to immerse ourselves authentically in the emotion of the moment, whatever that moment means in the life of our congregation.

Maintaining a Pastor's Heart

Kent Hughes, 1991 article in *Christianity Today*

Many pastors loathe administration because they don't enjoy it and because they regard administrative duties as keeping them from "ministry."

Some are convinced that administration is detrimental to a pastor's heart.

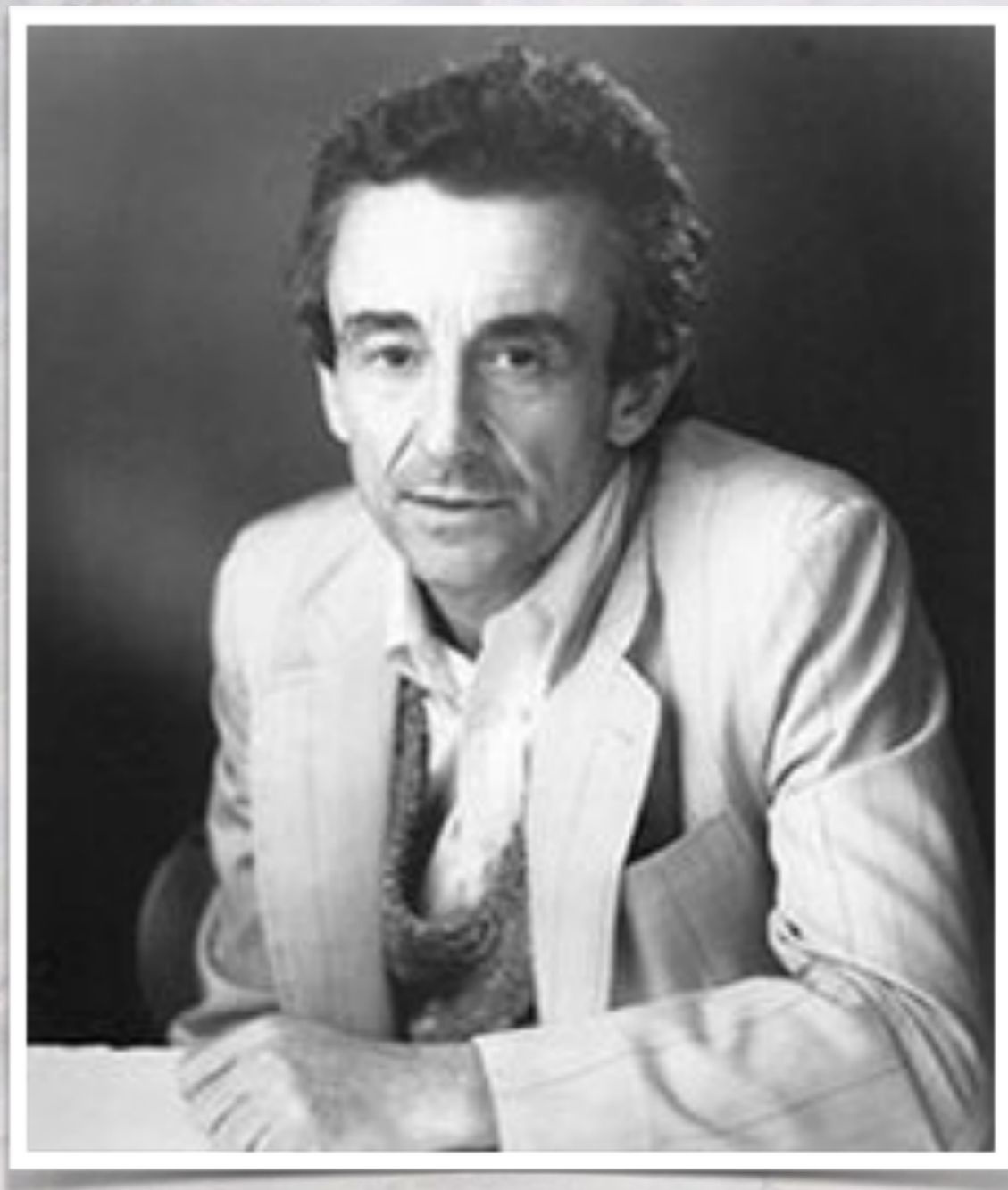
Kent Hughes

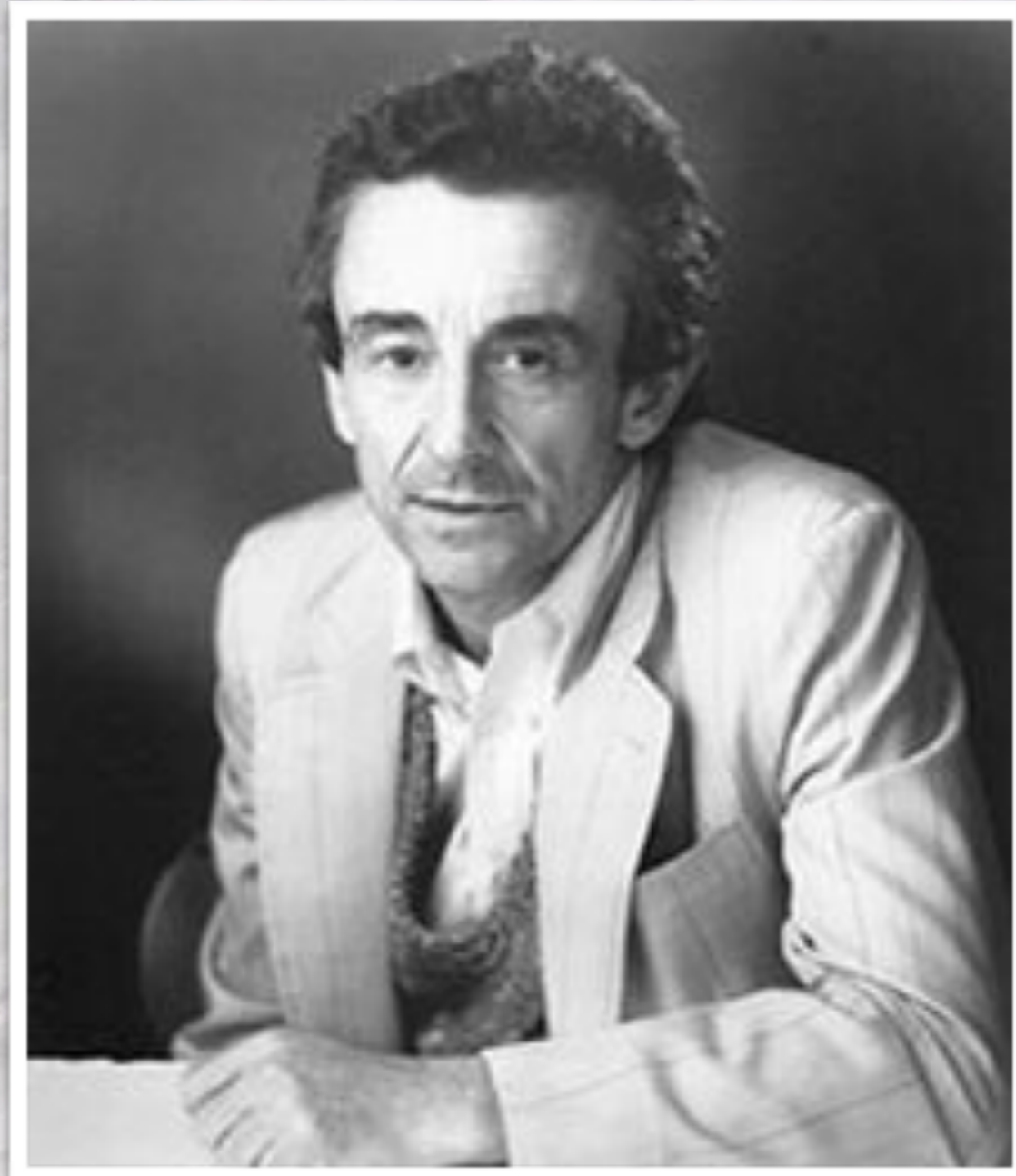
Ultimately, the distinction between what is “administration” and what is “ministerial” is simply a matter of perspective.

For me administration is a matter of the heart—a form of pastoral care.

Kent Hughes







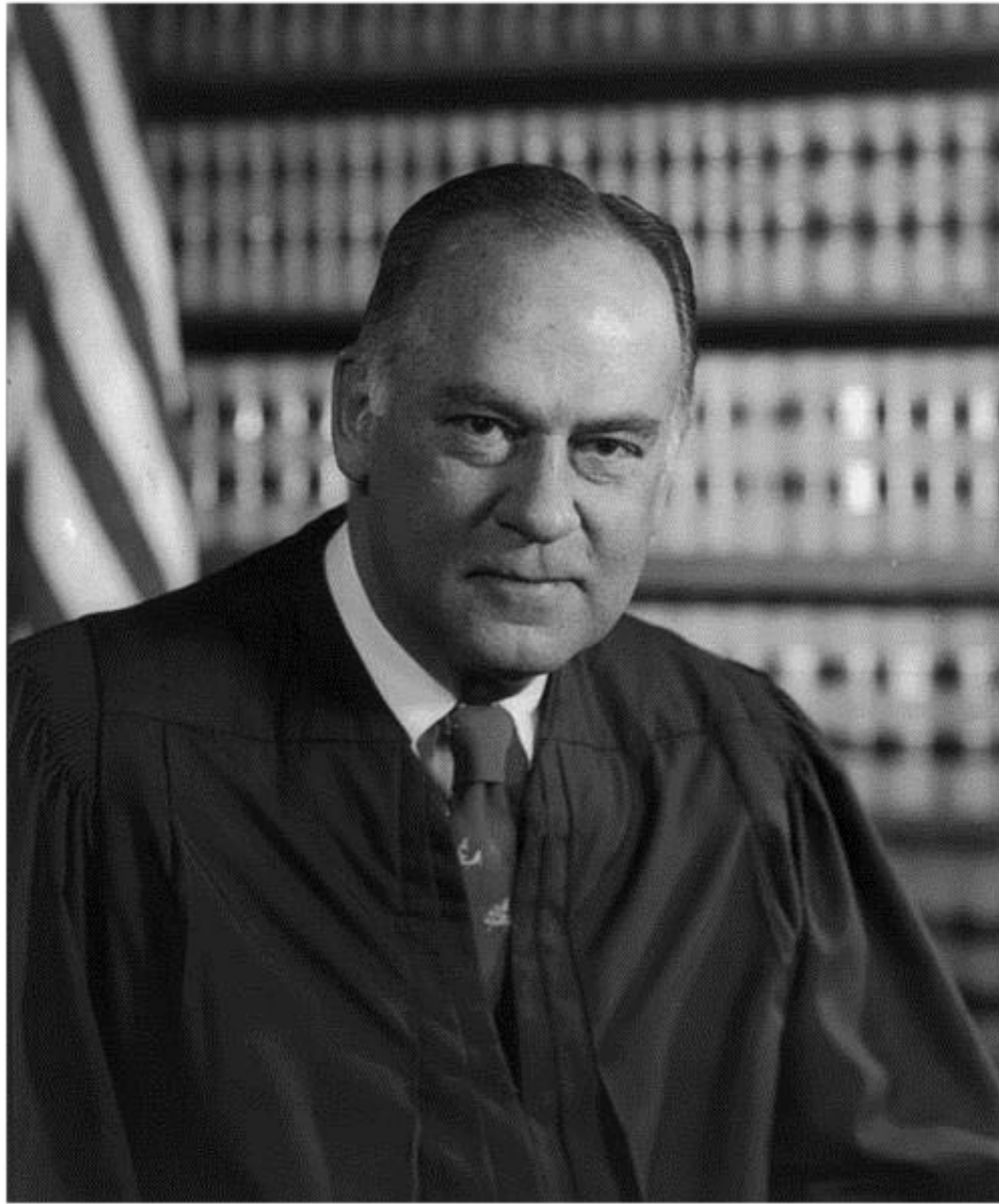
Nico Jacobellis

Nico Jacobellis was the manager of the Heights Art Theatre in Cleveland Heights, Ohio.

In 1964, he was convicted and fined \$2,500 by a judge of the Cuyahoga County Court for exhibiting the film.

That is \$19,950 in 2018.

His conviction was upheld by the Ohio Court of Appeals and Supreme Court of Ohio. The next stop was the US Supreme Court.



I shall not today attempt further to define the kinds of material I understand to be embraced within that shorthand description of hard-core pornography, and perhaps I could never succeed in intelligibly doing so.

I know it when I see it.

Potter Stewart

I know it when I see it

Principle

***Seemingly Simple Terms
Are Challenging to
Define***

Getting at Definition ...

**Let's Put Some
Numbers to the Ideas**

Charlie 1934 Soapbox Racer



Bert Ford F-150 Raptor 3.5 Liter V6



Clarissa Ferrari 812 Superfast 6.5 Liter V12



Bert, Charlie and Clarissa have choices.



They can go lazily slow,
safely moderate or pedal to
the metal fast.



Charlie 1934 Soapbox Racer



Cylinders	MPH	Power Index
1	10	10
1	20	20
1	30	30



Bert Ford F-150 Raptor 3.5 Liter V6



Cylinders	MPH	Power Index
6	30	180
6	60	360
6	100	600



Clarissa

Ferrari 812 Superfast

6.5 Liter V12



Cylinders	MPH	Power Index
12	60	720
12	100	1200
12	211	2532



Cylinders	MPH	Power Index
1	10	10
1	20	20
1	30	30



6	30	180
6	60	360
6	100	600

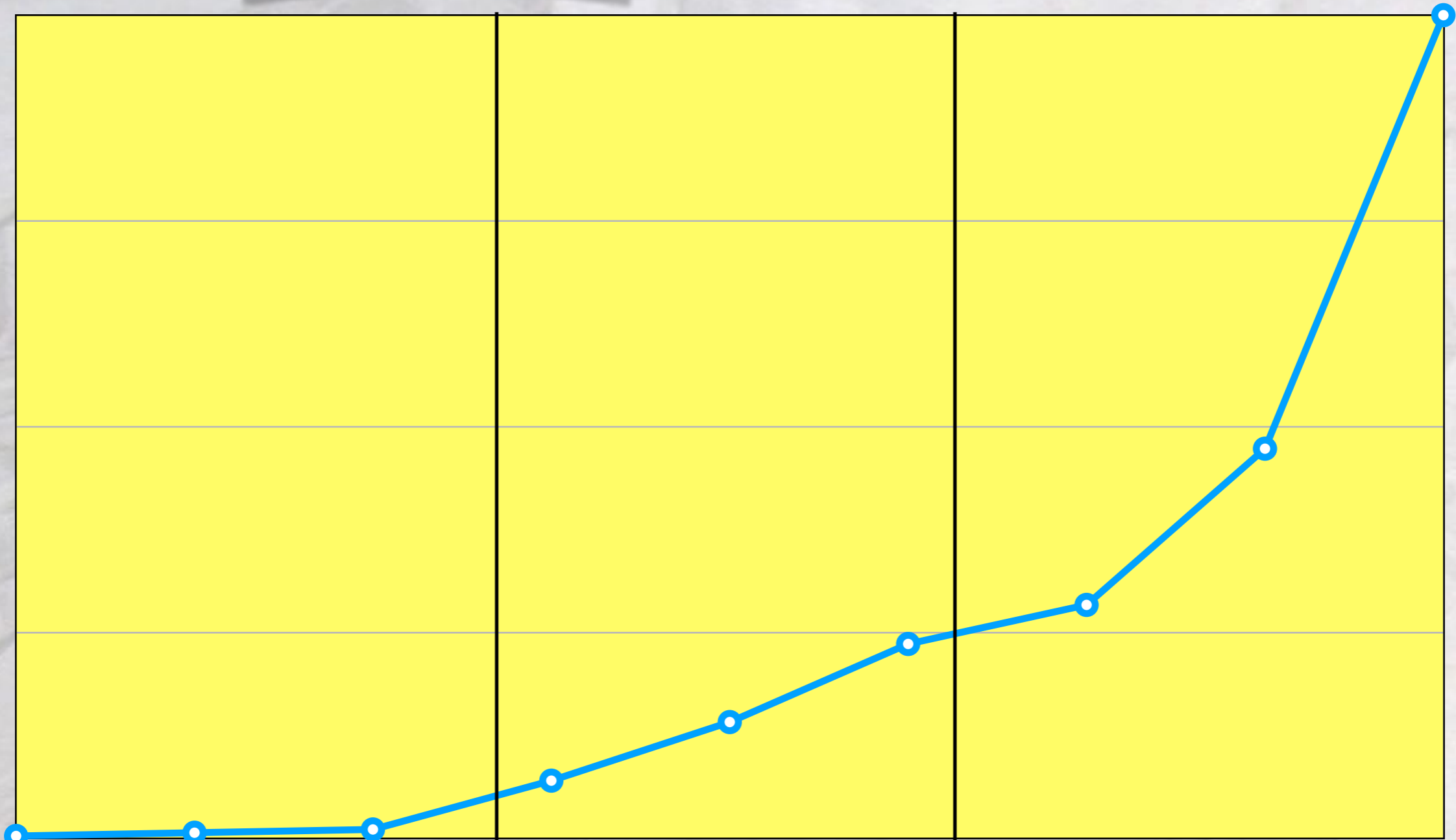


12	60	720
12	100	1200
12	211	2532



$B^B + P^H$

Power Index



**Now What?
Where Does the
Rubber Meet the
Road?**

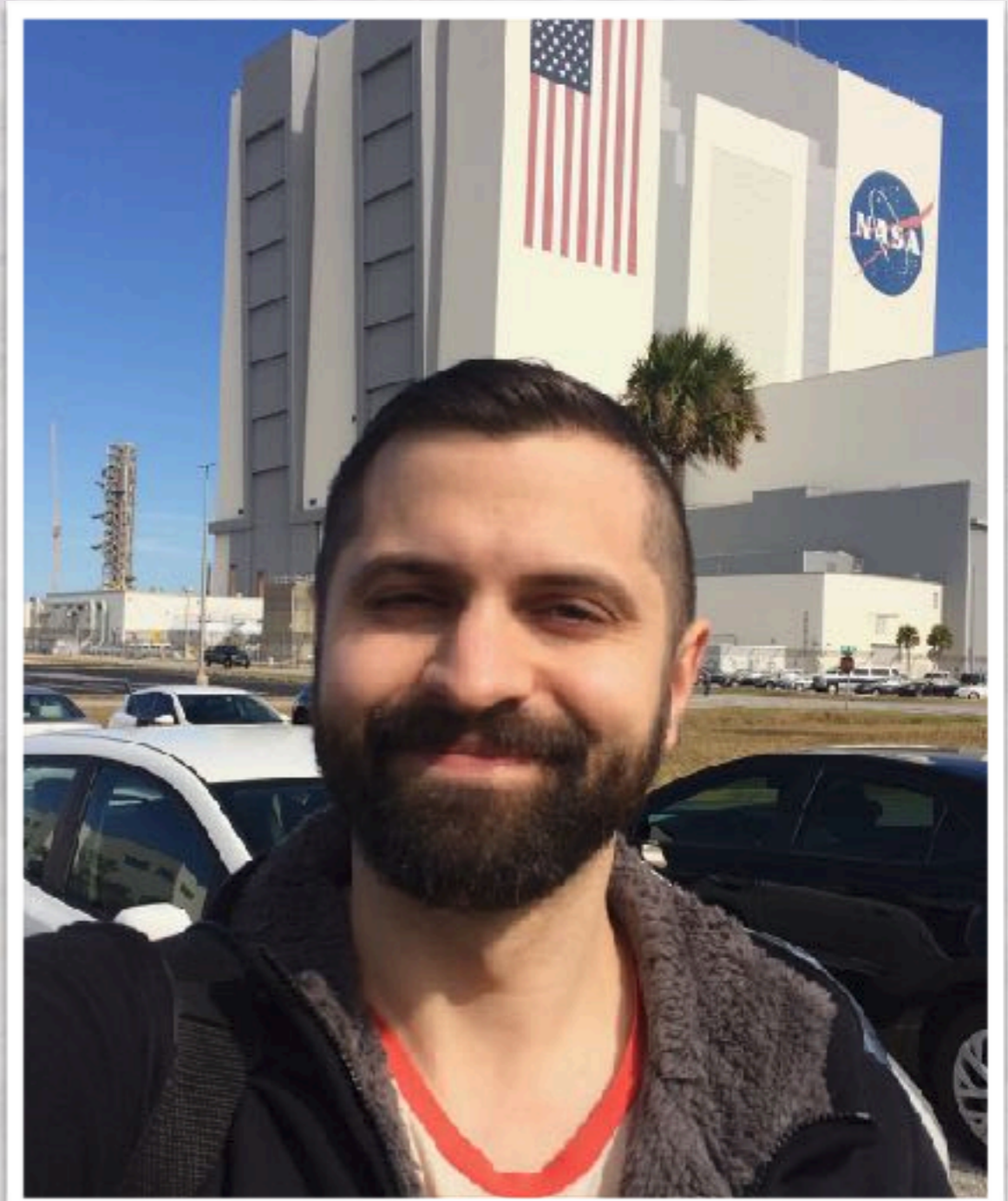
γνῶθι σεαυτόν
– Socrates

Know Thyself

**Know Your How High
You Can Go**

Principle
There is Little
Perspective When
Looking Down









**Know Your Highest
Ability**

**Know Your Bottom
Floor**







**It's not
*either/or***

**It's
*both/and***





**Lightning McQueen
forgot his team**



Embrace Charlie on your team



Celebrate Bert as a co-laborer



Value Clarissa's gifted input



You are made whole by a diverse team



A Diverse Team Makes You Whole

Mentor



Administrator



Catalyst



Relational



Overseer



The formula ...

$$B^B + PH = XP$$

is complete by including others

$B^B + PH = XP$



